

Juno



Performance

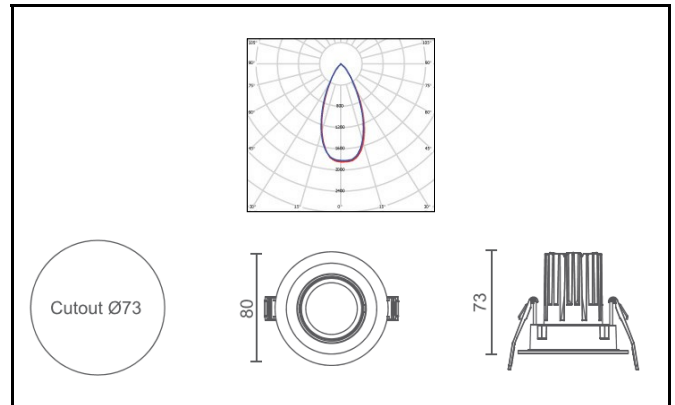
Lumen Output	Wattage	lm/cW
841lm (4000K)	7.8W	107.8
1043lm (4000K)	9.6W	108.6

Rated Supply Voltage	220—240 V
AC Voltage Range	198—264 V
Mains Frequency	50/60 Hz
Output LF Current Ripple @ 120Hz	<1%
Overvoltage Protection	320 V
In-rush Current	12 A
THD	<10%
Dimming Type (Optional)	DALI
Operating Temperature	-25 +60 °C
Longevity (L70/B10)	60,000 Hours
Colour Rendering	RA>82
IP Rating	IP54
Cutout	Ø73mm
Dimensions	Ø80x 73mm
Weight	1.2 kg
Warranty	5 Years
Certification	CE, ROHS

Emergency (Optional)

BLF	Lumen Output
27%	227lm
22%	229lm

Emergency Duration	3 Hours
Recharge Period	24 Hours
Battery Type	LiFePO4 (Lithium Iron Phosphate)
Battery Pack	3 x 3.2V 1.5Ah
Parasitic Load	1.2W
Operating Temperature	0—60 °C
Power Efficiency	95%
Certification	CE, ROHS



54lighting

Tel: 01202 925971 | Email: info@54lighting.co.uk | Web: www.54lighting.co.uk

54 Lighting, Arrowsmith Court, Station Approach, Poole, Dorset, BH18 8AT