

SOLAR C



Performance

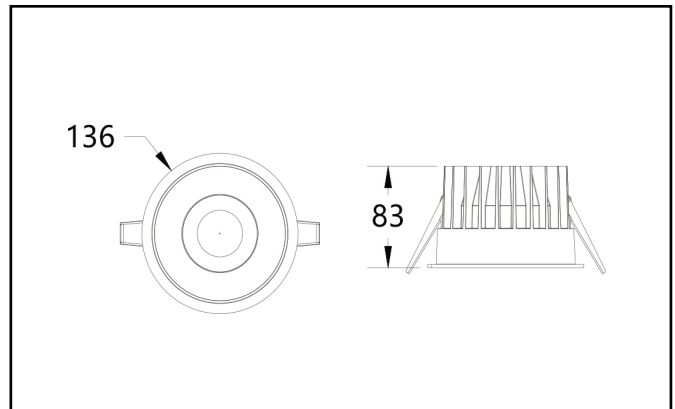
Lumen Output	Wattage	lm/cW
1470lm	14.9W	98.65
2030lm	19.6W	103.57

Rated Supply Voltage	220—240 V
AC Voltage Range	198—264 V
Mains Frequency	50/60 Hz
Output LF Current Ripple @ 120Hz	<1%
Overvoltage Protection	320 V
In-rush Current	12 A
UGR	<13
Dimming Type (Optional)	DALI
Operating Temperature	-25 +60 °C
Longevity (L70/B10)	60,000 hours
Colour Rendering	Ra>90
IP Rating	IP65
Cutout	Ø125–130mm
Dimensions	Ø136 x 83mm
Weight	1.2 kg
Warranty	5 Years
Certification	CE, ROHS

Emergency (Optional)

BLF	Lumen Output
20%	294lm
15%	304lm

Emergency Duration	3 Hours - Dali
Recharge Period	24 Hours
Battery Type	LiFePO4 (Lithium Iron Phosphate)
Battery Pack	3 x 3.2V 1.5Ah
Parasitic Load	1.2W
Operating Temperature	0—60 °C
Power Efficiency	95%
Certification	CE, ROHS



54 lighting

Tel: 01342 395625 | Email: info@54lighting.co.uk | Web: www.54lighting.co.uk

Unit 1, Haysbridge Farm, Farm Approach, Brickhouse Lane, South Godstone, Surrey, RH9 8JW