

PLUTO R



Performance

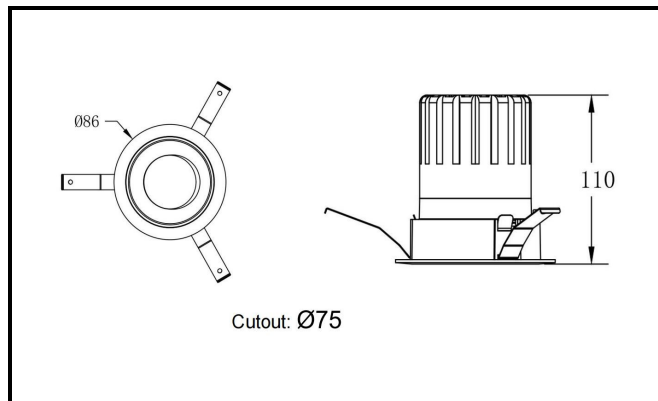
Lumen Output	Wattage	lm/cW
1290lm - 1890lm	12.9W - 18.9W	100.00

Rated Supply Voltage	220—240 V
AC Voltage Range	
Mains Frequency	50/60 Hz
Output LF Current Ripple @ 120Hz	<1%
Overvoltage Protection	320 V
In-rush Current	12 A
Beam Angle	60 Degree
Dimming Type (Optional)	DALI 2 Remote Driver
UGR	<13
Longevity (L80/B10) CREE XP LED	60,000 Hours
Colour Rendering (3 SDCM)	RA>90
IP Rating	IP54
Cutout	Ø75mm
Dimensions	86 x 110mm
Weight	1.2kg
Warranty	5 Years
Certification	CE, ROHS

Emergency (Optional)

BLF	Lumen Output
12.9w 20%	258lm
18.9w 15%	283lm

Emergency Duration	3 Hours - DALI Remote
Recharge Period	24 Hours
Battery Type	LiFePO4 (Lithium Iron Phosphate)
Battery Pack	3 x 3.2V 1.5Ah
Parasitic Load	1.2W
Operating Temperature	0—60 °C
Power Efficiency	95%
Certification	CE, ROHS



54 lighting

Tel: 01342 395625 | Email: info@54lighting.co.uk | Web: www.54lighting.co.uk
 Unit 1, Haysbridge Farm, Farm Approach, Brickhouse Lane, South Godstone, Surrey, RH9 8JW