

SPEC SHEET

ACORN

Ambient LED Pendants



AC-600-BK & AC-450-WH

Features



- Warm soft illumination from frosted glass sphere gem inside
- Highly effective white painting inside, provides high performance direct distribution
- 3 sizes for wide applications to office, mall, hotel, public area etc
- UGR<19
- Height adjustable 3m suspensions and clear teflon cable
- Wide range of finishes

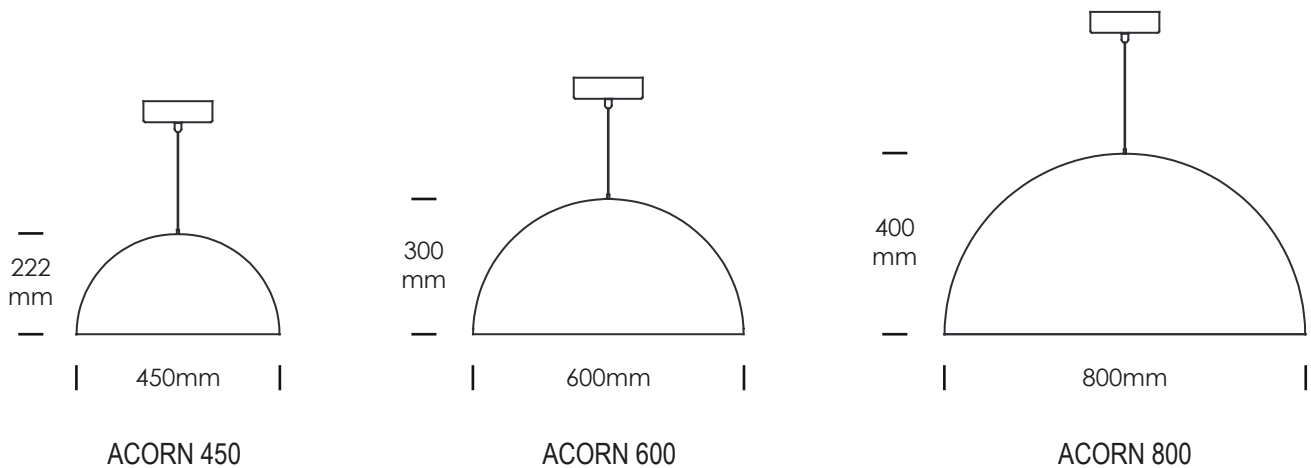
www.54lighting.co.uk

54 lighting

ACORN

Pendant Light

DIMENSIONS



TECHNOLOGY ADVANTAGE - MODULAR LED PENDANT

Precision Engineering

Our custom engineered Heat Sink delivers inspired aesthetics with thermal performance

Beautifully Uniform

Warm soft illumination from frosted glass sphere gem

True Power

Citizen COB, delivers steady Lumens

DIM LED

Traic dim, 0/1-10V dim, DALI dim optional

ACORN

Pendant Light

ORDERING INFO

ACORN 450 MODEL: AC-450



LIGHT DISTRIBUTION	Direct
DELIVERED LUMENS	2079lm@3000K / 2177lm@4000K
CCT	3000K / 3500K / 4000K
CRI	> 90
POWER	28W
DIMMING	Non-dim / 0/1-10V / DALI
INPUT	220-240V AC
CABLE	Length 3 m, clear teflon cable
SIZE	φ450x222mm
FINISH	See color codes as shown
WEIGHT(NET)	2.5KG

ACORN 600 MODEL: AC-600

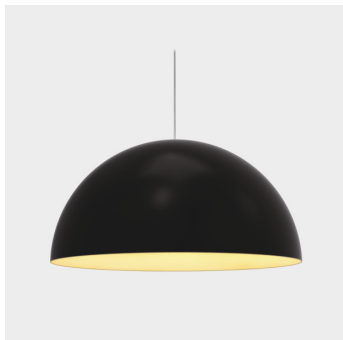


LIGHT DISTRIBUTION	Direct
DELIVERED LUMENS	2079lm@3000K / 2177lm@4000K
CCT	3000K / 3500K / 4000K
CRI	> 90
POWER	28W
DIMMING	Non-dim / 0/1-10V / DALI
INPUT	220-240V AC
CABLE	Length 3 m, clear teflon cable
SIZE	φ600x300mm
FINISH	See color codes as shown
WEIGHT(NET)	3.5KG

ACORN

Pendant Light

ACORN 800 MODEL: AC-800



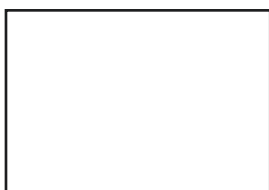
LIGHT DISTRIBUTION	Direct
DELIVERED LUMENS	3118lm@3000K / 3266lm@4000K
CCT	3000K / 3500K / 4000K
CRI	> 90
POWER	42W
DIMMING	Non-dim / 0/1-10V / DALI
INPUT	220-240V AC
CABLE	Length 3 m, clear teflon cable
SIZE	φ800x400mm
FINISH	See color codes as shown
WEIGHT(NET)	5.3KG

COLOR CODE

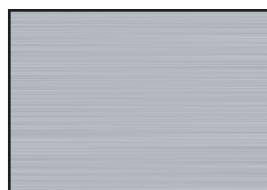
BK	Matt black
WH	Matt white
BA	Brushed Aluminum
CF	Custom finish - RAL or Pantone or other finish options



Matt black



Matt white



Brushed Aluminum



Custom